

# Model: ACE 83F2

## Data

---

Type: Condensers

Producer: ECO

Series: ACE

## Model: ACE 83F2

### Condenser technical data

Speed:	<u>low</u>	<u>high</u>
Air flow [m <sup>3</sup> /h]:	17070	25560
Heat exchange surface (int./ext.) [m <sup>2</sup> ]:		17,8/302
Inner volume [dm <sup>3</sup> ]:		34
Weight [kg]:		388

### Fans technical data

Count:		3
Diameter [mm]:		800
Speed:	<u>low</u>	<u>high</u>
RPM [min <sup>-1</sup> ]:	240	380
Power input [W]:	330	750
Current [A]:	0,81	1,86
Power supply [V/f/Hz]:		400V/3/50Hz

### Acoustic data

Speed:	<u>low</u>	<u>high</u>
Sound pressure level :	28	35

### Connections

	<u>millimeters</u>	<u>inches</u>
Inlet:	54	
Outlet:	42	

# Model: ACE 83F2

## Capacity

R404A/R507

### Cooling capacity [kW] (high speed)

<b>TD \ t<sub>a</sub></b>	<b>15</b>	<b>20</b>	<b>25</b>	<b>30</b>	<b>35</b>	<b>40</b>	<b>45</b>	<b>50</b>
<b>8</b>	54.18	53.59	52.80	51.90	50.97	50.11	49.40	48.92
<b>10</b>	67.72	66.99	66.00	64.88	63.72	62.64	61.75	61.16
<b>12</b>	81.27	80.39	79.20	77.85	76.46	75.17	74.10	73.39
<b>14</b>	94.81	93.78	92.40	90.83	89.21	87.69	86.45	85.62
<b>16</b>	108.36	107.18	105.61	103.80	101.95	100.22	98.80	97.85
<b>18</b>	121.90	120.58	118.81	116.78	114.69	112.75	111.15	110.08
<b>20</b>	135.45	133.98	132.01	129.75	127.44	125.28	123.50	122.31

### Cooling capacity [kW] (low speed)

<b>TD \ t<sub>a</sub></b>	<b>15</b>	<b>20</b>	<b>25</b>	<b>30</b>	<b>35</b>	<b>40</b>	<b>45</b>	<b>50</b>
<b>8</b>	40.39	39.95	39.36	38.69	38.00	37.36	36.82	36.47
<b>10</b>	50.48	49.94	49.20	48.36	47.50	46.69	46.03	45.59
<b>12</b>	60.58	59.92	59.04	58.04	57.00	56.03	55.24	54.71
<b>14</b>	70.68	69.91	68.88	67.71	66.50	65.37	64.44	63.82
<b>16</b>	80.77	79.90	78.72	77.38	76.00	74.71	73.65	72.94
<b>18</b>	90.87	89.89	88.56	87.05	85.50	84.05	82.85	82.06
<b>20</b>	100.97	99.87	98.40	96.73	95.00	93.39	92.06	91.18

Operating conditions: height 0 m above sea level, aluminium fins

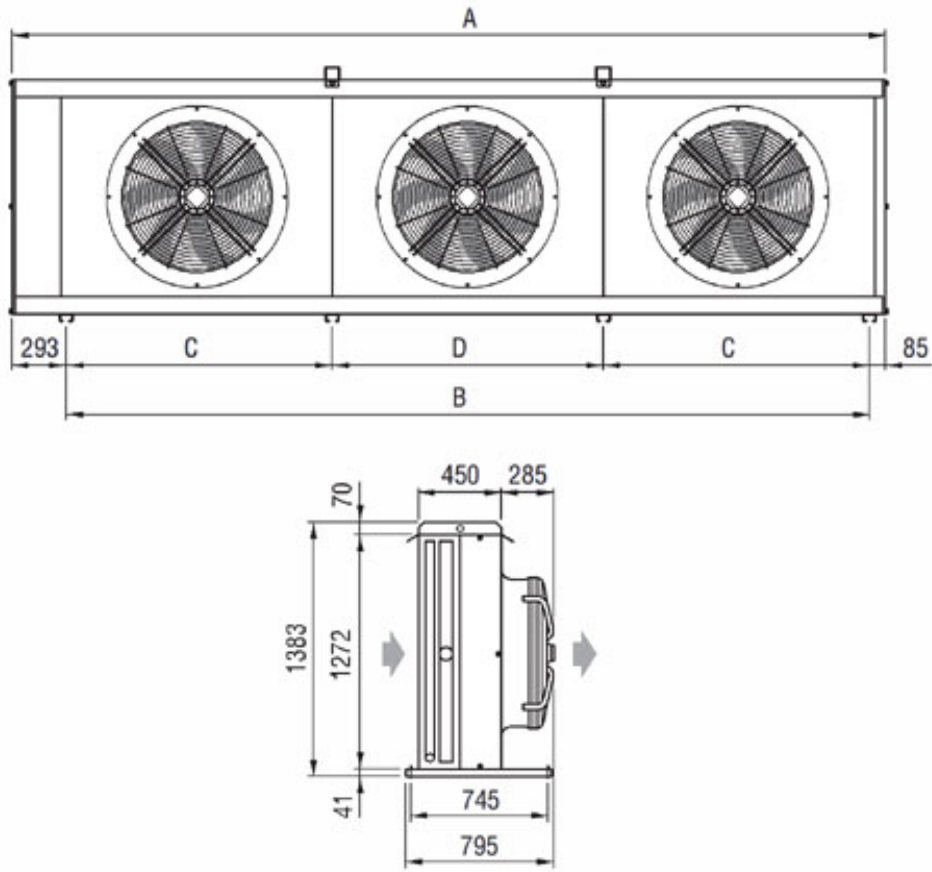
TD - Difference between condensing and ambient temperature [K]

t<sub>a</sub> - Ambient temperature [°C]

# Model: ACE 83F2

## Dimensions

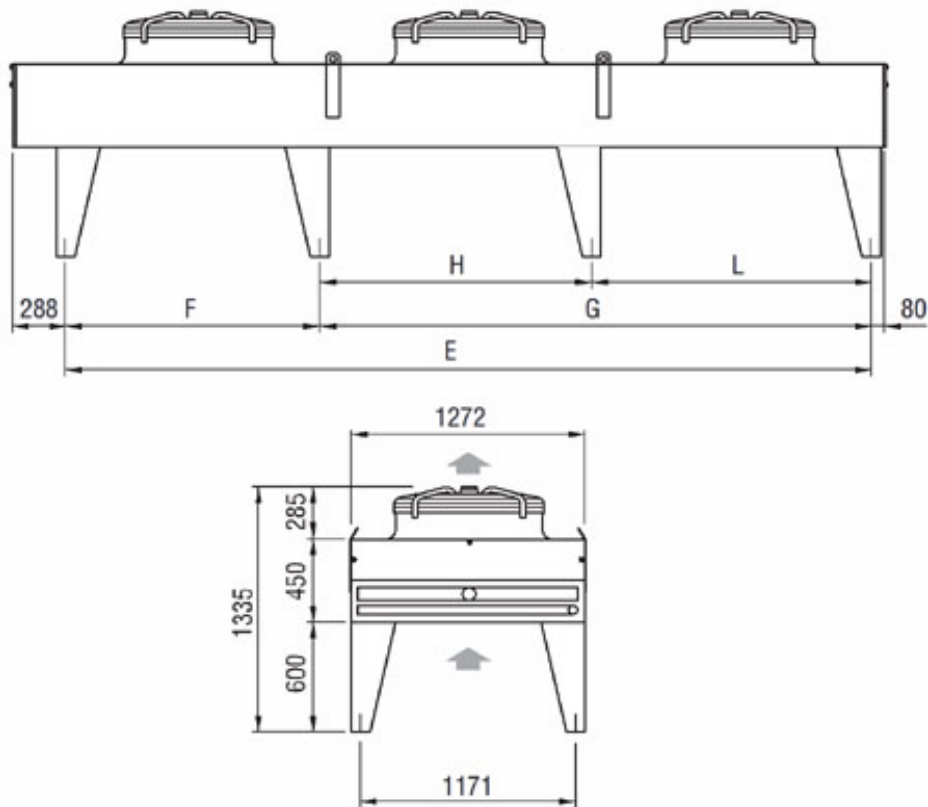
### Version H



### Version V

# Model: ACE 83F2

## Dimensions



A	4753 mm
B	4375 mm
C	1450 mm
D	1475 mm
E	4388 mm
F	1385 mm
G	3003 mm
H	- mm
I	- mm